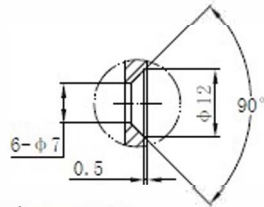
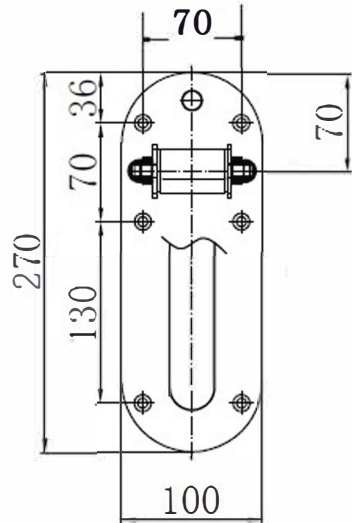




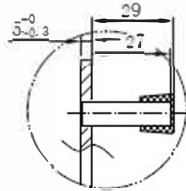
BJØRN HAMMER A/S

Telefon : +45 5854 7217

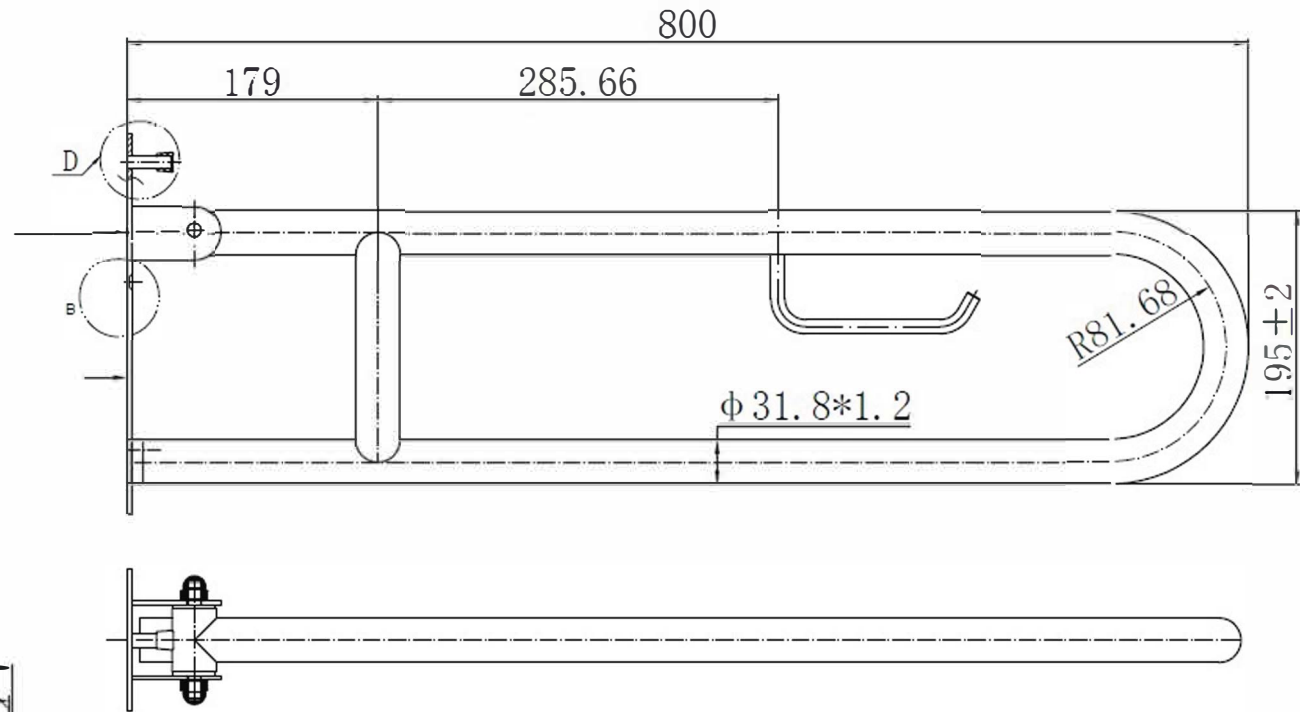
info@bjornhammer.dk \* www.bjornhammer.dk



B enlarge to 4:1



D enlarge to 2:1



00880324L		
Opklapbare toilet- beugel 800mm lang	Barre relevable 800mm longue	Foldable toilet handle 800mm long

**LOGGERE**  
ROOM FOR FUNCTIONAL DESIGN